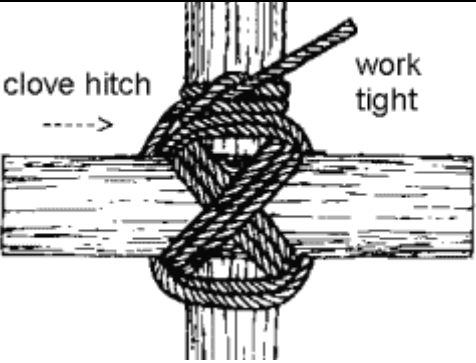
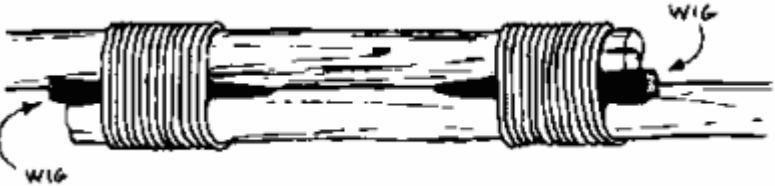

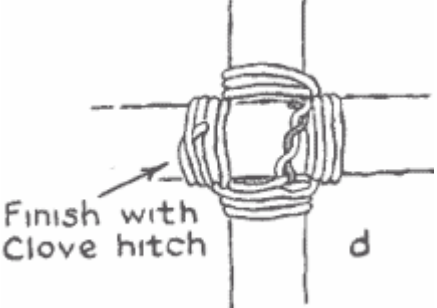
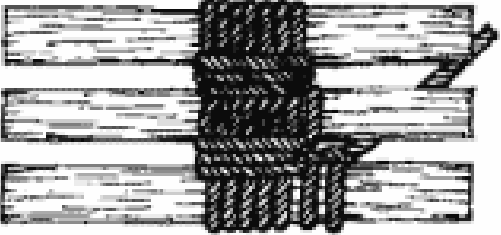


# LASHINGS

	<p><b>DIAGONAL LASHING</b></p> <p>Start with Timber Hitch. End with Clove Hitch. Insert frapping turns.</p> <p>Purpose: to pull together two spars which are far apart.</p>
	<p><b>ROUND LASHING</b></p> <p>Start and end with Clove Hitch.</p> <p>Purpose: To extend spars, like flag pole building and so forth.</p>
	<p><b>SHEER LASHING</b></p> <p>Start/end with Clove Hitch and insert frapping turns.</p> <p>Purpose: To build Sheer Legs.</p>
	<p><b>SQUARE LASHING</b></p> <p>Start/end with Clove Hitch and insert frapping turns.</p> <p>Purpose: To bind two spars in a cross formation.</p>
	<p><b>TRIPOD or FIGURE OF EIGHT LASHING</b></p> <p>Start/end with Clove Hitch and insert frapping turns.</p> <p>Purpose: Building a tripod.</p>